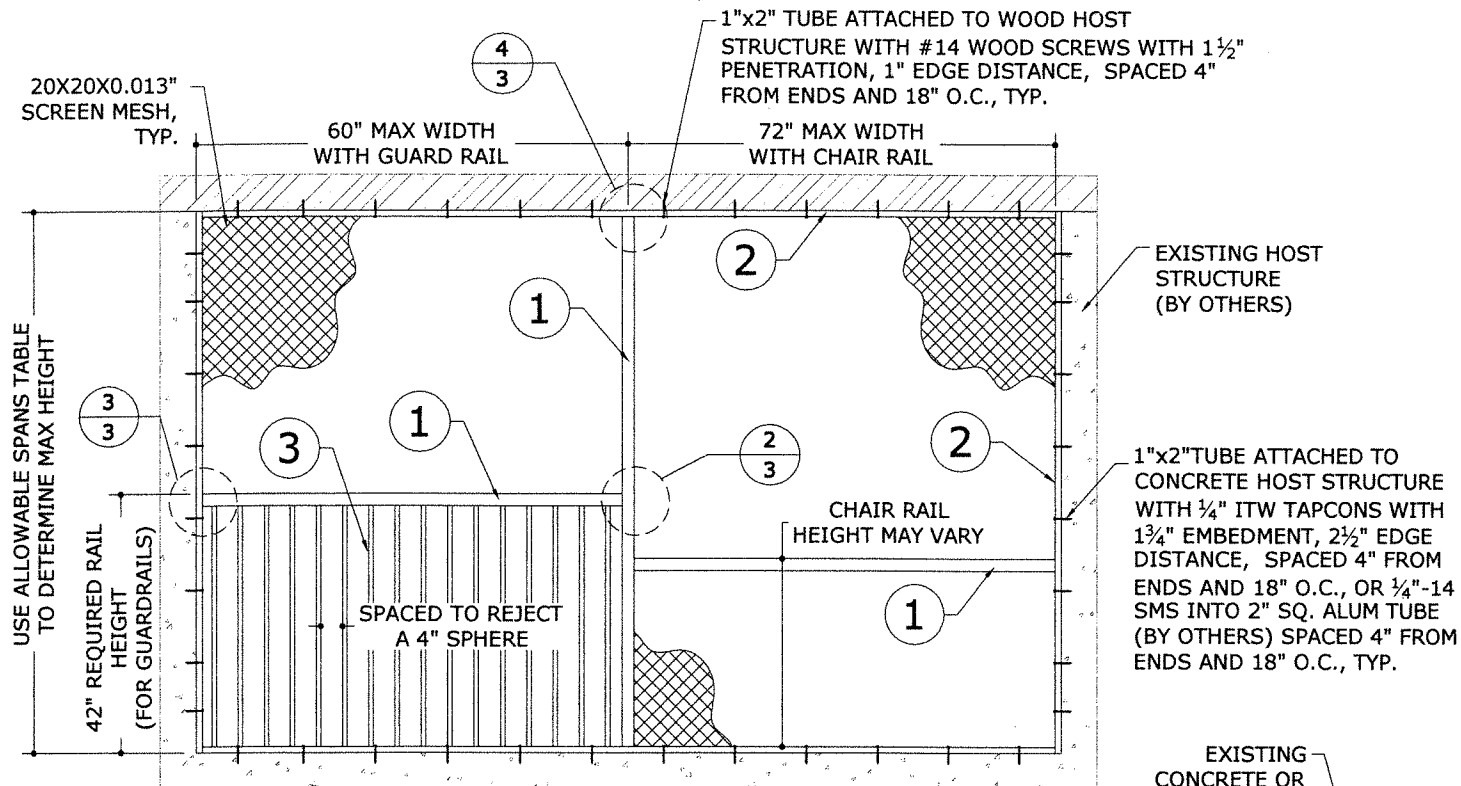
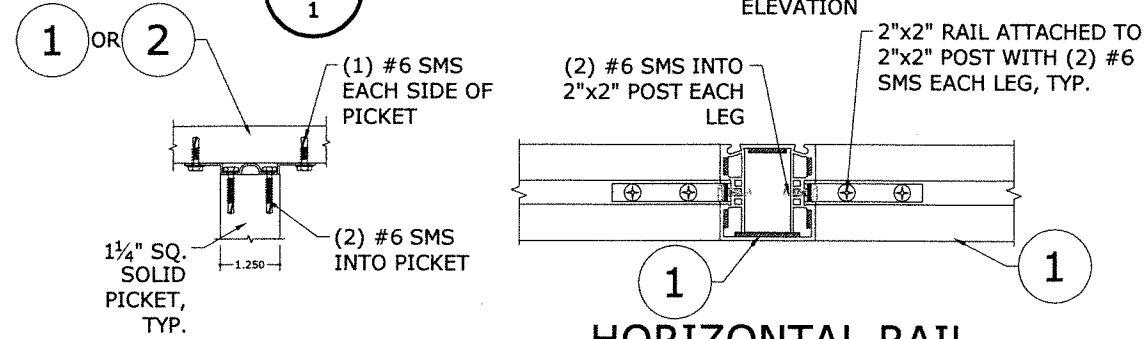


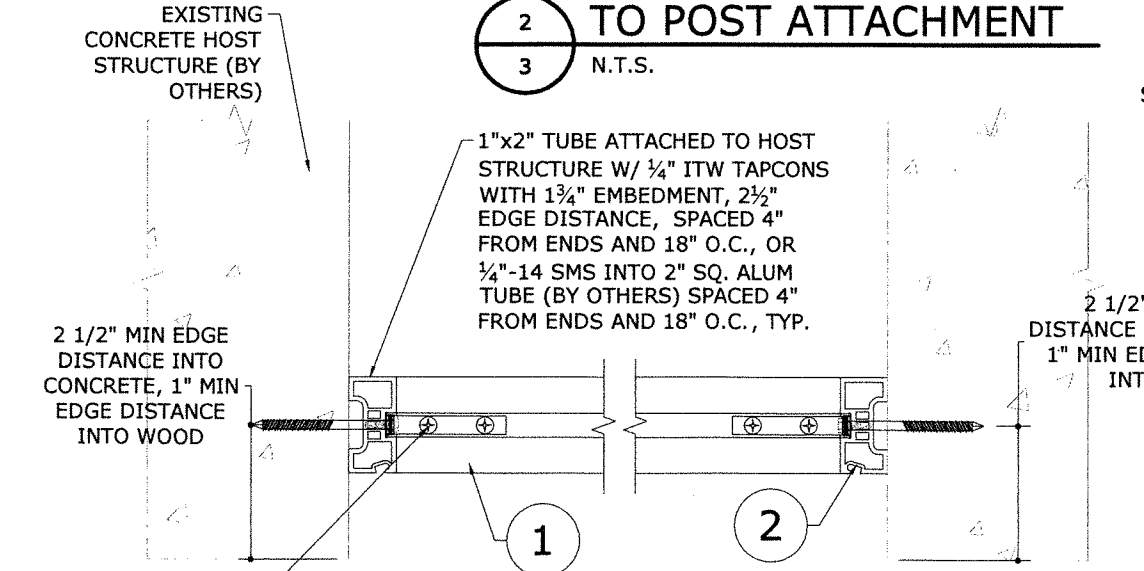
COMPOSITE PVC SCREEN MATERIAL PLAN SHEET - IBC



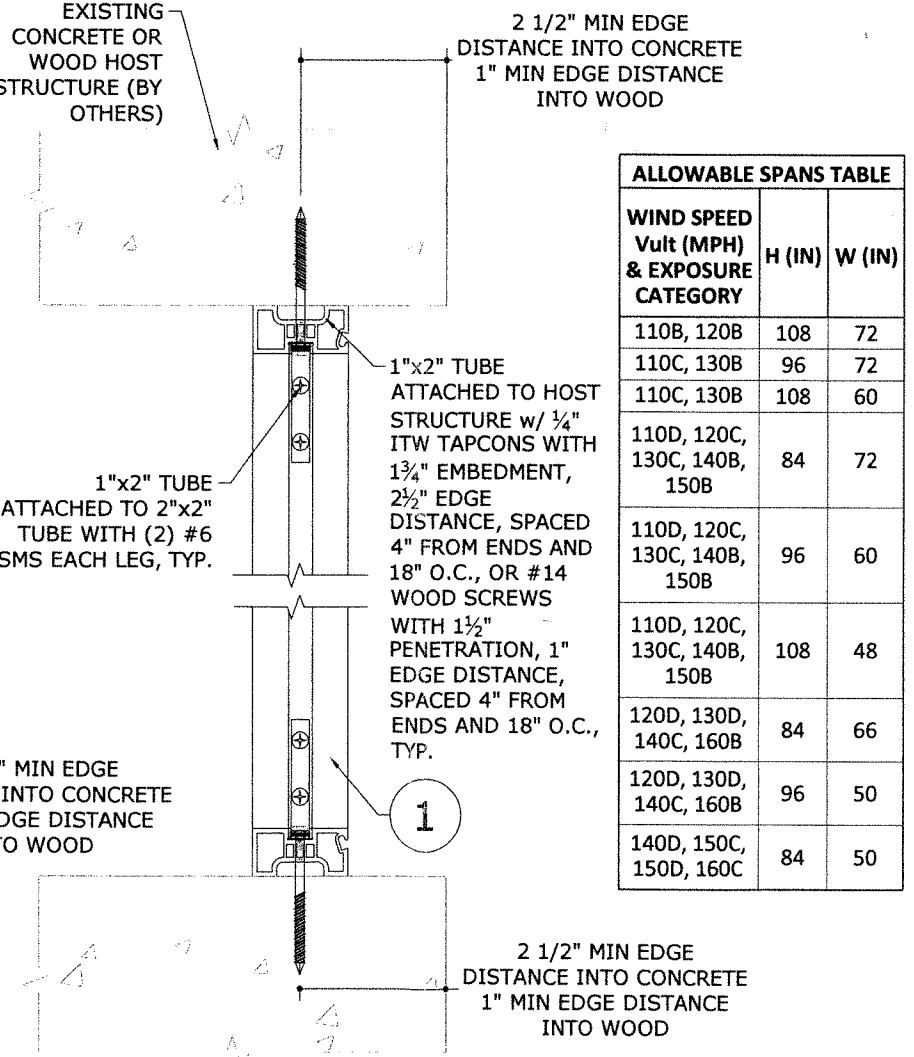
1 TYPICAL SCREEN WALL ELEVATION



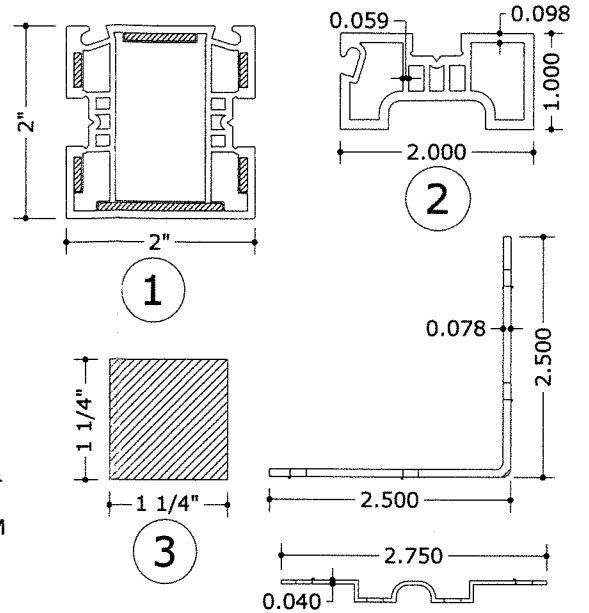
2 HORIZONTAL RAIL TO POST ATTACHMENT



3 HORIZONTAL RAIL TO HOST STRUCTURE ATTACHMENT



4 TOP AND BOTTOM POST TO HOST STRUCTURE ATTACHMENT



ALLOWABLE SPANS TABLE		
WIND SPEED Vult (MPH) & EXPOSURE CATEGORY	H (IN)	W (IN)
110B, 120B	108	72
110C, 130B	96	72
110C, 130B	108	60
110D, 120C, 130C, 140B, 150B	84	72
110D, 120C, 130C, 140B, 150B	96	60
110D, 120C, 130C, 140B, 150B	108	48
120D, 130D, 140C, 160B	84	66
120D, 130D, 140C, 160B	96	50
140D, 150C, 150D, 160C	84	50

DESIGN NOTES

2012 & 2015 INTERNATIONAL BUILDING CODE AND 2012 & 2015 INTERNATIONAL RESIDENTIAL CODE, ASCE 7-10
 WIND SPEED AND EXPOSURE PER ALLOWABLE SPANS TABLE
 SYSTEM PERFORMANCE DERIVED FROM CERTIFIED TEST REPORTS Nos. G2006.01-119-16, AND G2043.01-119-16 BY ARCHITECTURAL TESTING, INC.
 *SCREEN POST AND RAIL WIND PRESSURES DESIGNED ACCORDING TO LOADS DETERMINED BY FLORIDA APPROVED TESTING FOR 20X20X0.013" SCREEN MESH ATTACHED WITH C-SPLINE.

GENERAL NOTES

- THIS SYSTEM HAS BEEN DESIGNED AND SHALL BE FABRICATED IN ACCORDANCE WITH THE STRUCTURAL REQUIREMENTS OF THE 2012 & 2015 INTERNATIONAL BUILDING CODE AND 2012 & 2015 INTERNATIONAL RESIDENTIAL CODE AS WELL AS CURRENT VERSIONS OF THE MN, NC, NJ, NY, OH, SC, VA BUILDING & RESIDENTIAL CODES AS APPLICABLE.
- THIS RAILING (SCREEN NOT INCLUDED) IS DESIGNED TO MEET SECTIONS OF THE CODE GOVERNING ELEVATED BALCONIES AND STRUCTURAL RAILINGS (200LB POINT LOAD; 50PLF TOPCAP LOAD, 50LB POINT LOAD UPON 1SF OF INFILL BELOW 42" AND 25 PSF UPON GROSS AREA OF GUARD BELOW 42").
- MATERIAL INFORMATION:** ALL PVC RESIN TO BE ASTM01784 EXTRUDED D638 FLEX STR. 9600PSI D790. ALL TO CONFORM TO ASTM F 964 FOR RIGID POLYVINYL PROFILES.
- ALL FASTENERS TO BE #12 X 3/4" OR GREATER 2024-T4, 18-8 SERIES 300 NON-MAGNETIC STAINLESS STEEL, OR CADMIUM PLATED OR OTHERWISE CORROSION RESISTANT MATERIAL AND SHALL COMPLY WITH J.3.4, SPECIFICATIONS FOR ALUM. STRUCTURES -SECTION 1, THE ALUMINUM ASSOCIATION, INC., & APPLICABLE FEDERAL, STATE, AND LOCAL CODES.
- ALL CONCRETE AND EPOXY TO REACH A MINIMUM COMPRESSIVE STRENGTH OF 3000 PSI IN 7 DAYS.
- ALL CONCRETE SHALL BE UNCRACKED ONLY WITH A MINIMUM COMPRESSIVE STRENGTH OF 3000 PSI U.N.O. AND SHALL BE MINIMUM 1.5X THICKER THAN ANY MEMBER EMBEDMENT. ALL EPOXY AND GROUT SHALL MEET OR EXCEED COMPRESSIVE STRENGTH OF THE CONCRETE AND SHALL BE IRON-FREE, NON-SHRINK AND NON-REACTIVE.
- ANCHORS TO CONCRETE SHALL BE TORQUES SUCH THAT THE SLIGHT DEFORMATION OF MATERIAL IS VISIBLE.
- ALL MATERIALS USED & FABRICATION METHODS SHALL CONFORM TO THE MANUFACTURER'S PUBLISHED AND APPROVED REQUIREMENTS.
- THE CONTRACTOR IS RESPONSIBLE TO INSULATE ALUMINUM MEMBERS FROM DISSIMILAR METALS TO PREVENT ELECTROLYSIS.
- ELECTRICAL GROUND, WHEN REQUIRED, TO BE DESIGNED & INSTALLED BY OTHERS.
- ENGINEER SEAL AFFIXED HERETO VALIDATES STRUCTURAL DESIGN AS SHOWN ONLY. USE OF THIS SPECIFICATION BY CONTRACTOR, et. al. INDEMNIFIES & SAVES HARMLESS THIS ENGINEER FOR ALL COST & DAMAGES INCLUDING LEGAL FEES & APPELLATE FEES RESULTING FROM MATERIAL FABRICATION, SYSTEM ERECTION, CONSTRUCTION PRACTICES BEYOND THAT WHICH IS CALLED FOR BY LOCAL, STATE, & FEDERAL CODES & FROM DEVIATIONS OF THIS PLAN.
- THIS DOCUMENT IS GENERIC AND DOES NOT PERTAIN TO ANY SPECIFIC PROJECT SITE. INFORMATION CONTAINED HEREIN IS BASED ON CONTRACTOR-SUPPLIED DATA AND MEASUREMENTS. THIS ENGINEER SHALL NOT BE HELD RESPONSIBLE OR LIABLE IN ANY WAY FOR ERRONEOUS OR INACCURATE DATA OR MEASUREMENTS. DIMENSIONS ARE SHOWN TO ILLUSTRATE DESIGN FORCES AND OTHER DESIGN CRITERIA. THEY MAY VARY SLIGHTLY, BUT MUST REMAIN WITHIN THE LIMITATIONS SPECIFIED HEREIN. WORK SHALL BE FIELD VERIFIED BY OTHERS PRIOR TO CONSTRUCTION. ENGINEERING EXPRESS SHALL BE NOTIFIED AND GIVEN AN OPPORTUNITY TO REEVALUATE OUR WORK UPON DISCOVERY OF ANY INACCURATE INFORMATION PRIOR TO MODIFICATION OF EXISTING FIELD CONDITIONS AND FABRICATION AND INSTALLATION OF MATERIALS. ALTERATIONS OR ADDITIONS TO THIS DOCUMENT ARE NOT PERMITTED AND INVALIDATE OUR CERTIFICATION.
- EXCEPT AS EXPRESSLY PROVIDED HEREIN, NO ADDITIONAL CERTIFICATIONS OR AFFIRMATIONS ARE INTENDED.

FRANK L. BENNARDO, P.E.

STATE SEAL INDICATED BELOW
 APR 05 2017

VALID FOR 1 PERMIT ONLY U.N.O.
 VALID ONLY WITH ORIGINAL ENGINEER SEAL

FRANK L. BENNARDO, P.E.
 160 SW 12th AVENUE, #106
 DEERFIELD BEACH, FL 33442
 Ph: (954) 354-0660 FAX: (954) 354-0443

POWERED BY THE INNOVATIONS OF
ENGINEERING EXPRESS
 EXPERIENCE MORE AT ENGINEERINGEXPRESS.COM

SCREEN TIGHT
 407-A CHURCH STREET
 GEORGETOWN, SC
 (800) 768-7325

AL:25555
 DE:15009, CA 2782
 GA:27525
 ID:11090, CA 2030
 IN:10606888
 KS:24215
 LA:30341
 MA:43224
 MD:28152
 MI:49491
 MN:43001
 MO:2003019621
 MS:16927
 NC:PE027234
 NH:10624
 NJ:24GE04353500
 NY:079356
 OH:66438
 PA:PE060991
 SC:21507
 TX:96064
 VA:0402 038109
 WI:43753-6

REMARKS	INIT	ISSUE	DATE
			CHKD
			03/02/17

THIS DOCUMENT IS THE PROPERTY OF ENGINEERING EXPRESS AND SHALL NOT BE REPRODUCED IN WHOLE OR PART WITHOUT WRITTEN CONSENT OF ENGINEERING EXPRESS. ALTERATIONS, ADDITIONS OR OTHER MARKINGS TO THIS DOCUMENT ARE NOT PERMITTED AND INVALIDATE OUR CERTIFICATION.

COPYRIGHT ENGINEERING EXPRESS
17-4056
 SCALE: N.T.S.

OF 1
1

V:\Projects\17-4056 Screen Wall MPS\10 Drawings\17-4056a - Screen Wall MPS - IBC.dwg
 Intern1
 03/17/2017 - 4:35pm